

NOTES:

1. SAMPLING TUBE O.D. SIZES - WITHOUT ANY CHANGE OF FITTINGS, THIS PUMP WILL ACCEPT THE FOLLOWING TUBE SIZES:

- 5/16" [7.9375 MM]
- 1/4" [6.35 MM]
- 3/16" [4.7625 MM]

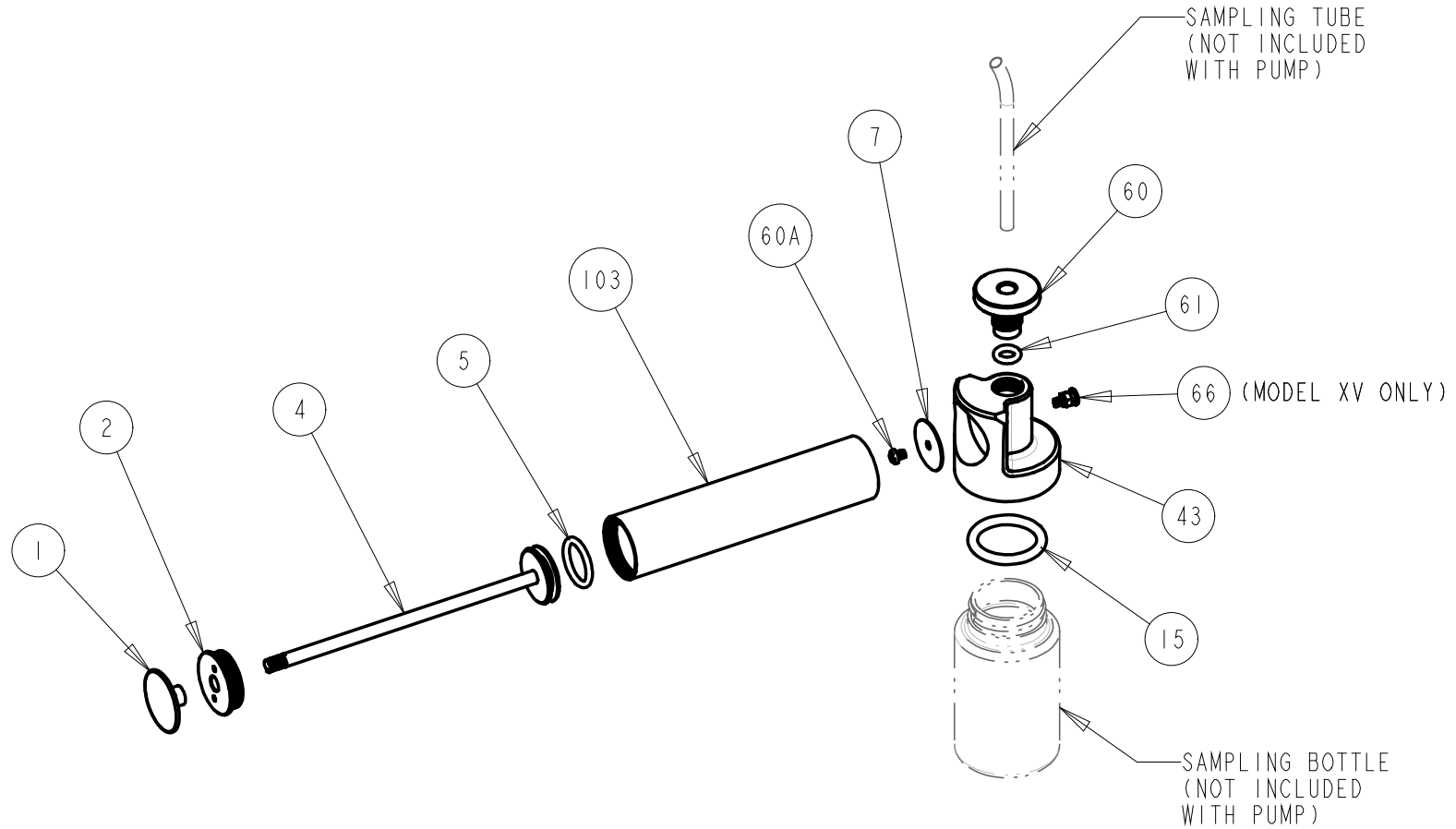
TO AVOID CROSS CONTAMINATION OF SAMPLES, USE A NEW TUBE FOR EVERY SAMPLE.

2. WHEN PREPARING TO DRAW AN OIL SAMPLE, ALWAYS INSERT THE SAMPLING TUBE COMPLETELY THROUGH THE COUPLING DEVICE, WITH THE END OF THE TUBE PROJECTING ABOUT 1/2" [12.69 MM] BELOW THE TOP OF THE SAMPLE CONTAINER. THE FLUID BEING SAMPLED WILL THEN FLOW FROM THE TUBE DIRECTLY INTO THE CONTAINER WITHOUT COMING IN CONTACT WITH ANY PART OF THE PUMP. THIS NOT ONLY PREVENTS CROSS CONTAMINATION OF SAMPLES, BUT (WITH A LITTLE CARE) ALLOWS AN UNLIMITED NUMBER OF SAMPLES TO BE DRAWN WITHOUT THE NECESSITY OF CLEANING THE PUMP.
3. CUTTING THE ENDS OF THE SAMPLING TUBE TO AN ANGLE OF APPROXIMATELY 45° WILL HELP PREVENT SCRAPING UP OF SLUDGE FROM THE INSIDE OF DIP STICK PIPES AND/OR SIDES AND BOTTOM OF OIL RESERVIORS WHEN INSERTING SAMPLING TUBES
4. TO COMMENCE DRAWING AN OIL SAMPLE, BE SURE INLET END OF SAMPLE TUBE IS WELL BELOW THE SURFACE OF THE FLUID TO BE SAMPLED, THEN BEGIN PUMPING. THE PUMP SHOULD DRAW 27 IN. HG. VACUUM IN EIGHT OR NINE STROKES. WATCH CLOSELY AS THE FLUID STARTS FLOWING; WHEN THE BOTTLE IS ABOUT 3/4 FULL, EITHER PUSH THE VACUUM RELEASE VALVE (XV MODEL) OR LOOSEN THE COUPLING DEVICE KNOB TO STOP THE FLOW. HOLDING IT IN WILL ALLOW THE TUBE TO DRAIN.
5. TO REMOVE HEAD FOR CLEANING OR REPAIRS, GRASP BARREL IN ONE HAND AND TAP HEAD LIGHTLY WITH SMALL MALLET.

VAMPIRE FLUID SAMPLING PUMP
MODELS X AND XV

DRAWING UNITS: MM/INCH

SHEET 1 OF 2



PART NO.	QTY. (MODEL X)	QTY. (MODEL XV)	DESCRIPTION
1	1	1	PULL HANDLE
2	1	1	HEADER NUT
103	1	1	CYLINDER
4	1	1	PISTON & ROD ASSEMBLY
5	1	1	O-RING, PISTON SEAL
60A	1	1	NO. 6 MACHINE SCREW
7	1	1	FLAPPER VALVE
15	1	1	O-RING, JAR SEAL
60	1	1	COUPLING DEVICE KNOB
61	1	1	O-RING, SAMPLE TUBE SEAL
66	-	1	VALVE, VACUUM RELEASE (MODEL XV ONLY)
43	1	1	HEAD, MOLDED NYLON

VAMPIRE FLUID SAMPLING PUMP
MODELS X AND XV

DRAWING UNITS: MM/INCH

SHEET 2 OF 2